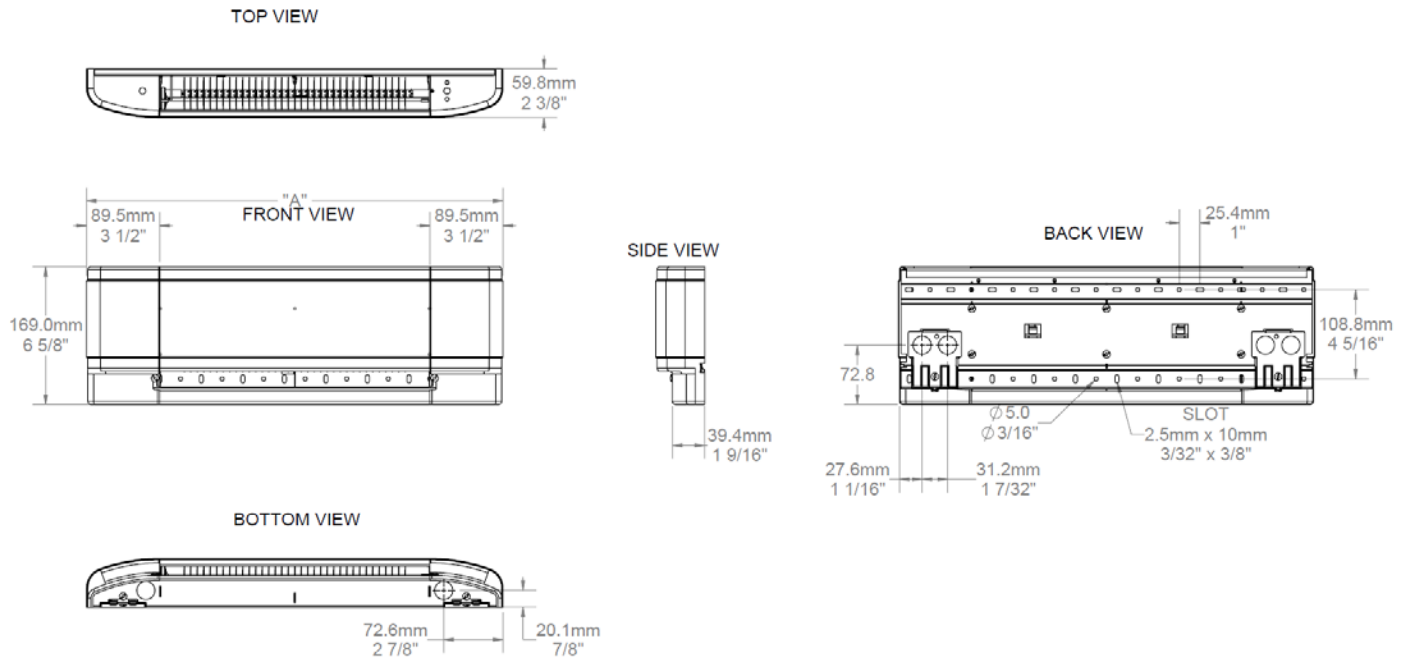


Linear Convactor Baseboard**LCM Series**

	Features
Color	- White, almond
Finish	- Epoxy/polyester powder paint
Voltage	- 120V, 208V, 240V/208V, 347V, 50/60 Hz, 1-phase
Construction	- 20-gauge steel construction - Front fresh air inlet; top warm air outlet - Linear high-limit temperature control with automatic reset
Heating Element	- Stainless steel sheathed, nickel chromium element; fully enclosed, providing superior life expectancy and resistance to rust. - Shark-fin shaped aluminum element fins are firmly staked in an upright position to provide directional wicking for the top discharge and superior heat transfer
Watt Density Control	- Average standard watt density of 300W/ft. (984W/m) - Field installable built-in thermostat (with control knob) or tamperproof thermostat (adjustable with a screwdriver) available - Mechanical or TRIAC relays available
Installation	- Easily removed front caps (L-slot requires ¼ turn on screw to remove) - Front cover is shipped off so unit is ready to install - Knock-outs on both sides of the unit, pre-stamped mounting holes - Large rear-entry junction boxes on both sides for quick and easy hook up
Warranty	- One-year warranty on complete unit; 10-year element warranty
Applications	- All residential and commercial installations

Linear Convactor Baseboard

LCM Series



Average Standard Watt Density Models 300W/ft. (984W/m)

Watts	Watts 240V/208V	Product #								Length (A)		Weight	
		120V	Qty	208V	Qty	240V/208V	Qty	347V	Qty	in.	mm	lb	kg
500	500/375	LCM2505W11		LCM2505W21		LCM2505W31		LCM2505W51		25	635	4.4	2
750	750/563	LCM3007W11		LCM3007W21		LCM3007W31		LCM3007W51		30	762	5	2.3
1000	1000/750	LCM4010W11		LCM4010W21		LCM4010W31		LCM4010W51		40	1016	7.5	3.2
1250	1250/938	LCM5012W11		LCM5012W21		LCM5012W31		LCM5012W51		50	1270	8.2	3.7
1500	1500/1125	LCM6015W11		LCM6015W21		LCM6015W31		LCM6015W51		60	1524	9.7	4.4
2000	2000/1500	—	—	LCM7520W21		LCM7520W31		LCM7520W51		75	1905	11.9	5.4
2500	2500/1875	—	—	LCM9025W21		LCM9025W31		LCM9025W51		90	2286	14.1	6.4

Note: To order almond omit "W" in Cat. No.

Linear Convectector Baseboard

LCM Series

Options

Product No.	Description	Factory Installed	Kit	Qty
DTK-SP	Single pole built-in adjustable thermostat. 120-240V, 17A, 347, 14A, 600V, 10A			
DTK-DP	Double pole built-in adjustable thermostat. 120-240V, 17A, 347, 14A, 600V, 10A			
DTKT-SP	Single pole built-in tamperproof thermostat. 120-240V, 17A, 347, 14A, 600V, 10A			
DTKT-DP	Double pole built-in tamperproof thermostat. 120-240V, 17A, 347, 14A, 600V, 10A			
BLLVC11	Mechanical low voltage relay & transformer kit. 120V, 22A			
BLLVC21	Mechanical low voltage relay & transformer kit. 208V, 22A.			
BLLVC31	Mechanical low voltage relay & transformer kit. 240V, 22A			
BLLVC51	Mechanical low voltage relay & transformer kit. 347V, 17A			
BLLVD	Mechanical low voltage relay less transformer kit. 120/208/240V, 22A. 347V, 17A			
CCT-06-1-S	Triac relay without transformer. 600V, 6A			
CCT-15-1-S	Triac relay without transformer. 347V, 15A			
CCT-15-1-S-T	Triac relay and transformer kit. 347V, 15A			
CCT-15-1-S-T240	Triac relay and transformer kit. 208/240V, 15A			

Others

Type	Quantity	Description	Volts	Phase	Watts	Length mm/in.	Information Color/Installation

Specifications may change without prior notice

Project:	Approval Information
Consultant Engineer:	
Electrician Contractor:	
Distributor:	
Date :	
Contact at Dimplex:	
Comments:	