



Top mounted thermostat can be installed on either side of LC (optional)

Linear Convactor Heater

Revolutionary design provides a sleek, compact heater profile, while improving heater performance, decreasing heat loss, and improving comfort.

Features

- Compact size is up to 42% smaller in length than conventional baseboards
- Up to 40% faster through top heat discharge, speeding dispersal of warm air into the center of the room
- Superior shark-fin blade design on a steel tubular element (stainless on 1500W, 2000W & 2500W units) for improved heat transfer, quiet operation and longer life
- Discreet styling, reduced length and added versatility of placement provide more options when designing a room
- Full length automatic overheat cut-out for safety
- May be used with wall, or top mounted built-in thermostat (not included)
- Built-in wire way along the full length of the unit

Applications

All Residential Applications | Commercial Offices | Lobbies

Specifications

Voltage	- 240V/208V
Wattage	- Sizes ranging from 500W to 2500W
Color	- White
Finish	- Polyester/epoxy powder coating resists fading and abrasion
Construction	- Robust, 22 gauge steel construction
Heating Element	- Nickel chromium element that is totally enclosed within a steel sheath, providing superior life expectancy and resistance to rust - Shark-fin shaped aluminum fins are firmly staked in an upright position to provide directional wicking for the top discharge heat transfer
Installation	- Easily removed front caps, knock-outs on both sides of the convactor, pre-stamped mounting holes make installation easy
Warranty	- 10-year element warranty - 1-year warranty on complete unit

Ordering Guide

Cat. No.	Watts	Volts	BTU	Length (mm/in)	Weight (kg/lbs.)
LC2005W31	500 / 375	240 / 208	1706 / 1280	508 / 20	1.7 / 3.75
LC2507W31	750 / 563	240 / 208	2559 / 1 919	635 / 25	2 / 4.40
LC3010W31	1000 / 750	240 / 208	3412 / 2559	762 / 30	2.3 / 5.00
LC3512W31	1250 / 938	240 / 208	4265 / 3199	889 / 35	3.0 / 6.65
LC4015W31	1500 / 1125	240 / 208	5118 / 3839	1016 / 40	3.2 / 7.50
LC5020W31	2000 / 1500	240 / 208	6824 / 5120	1270 / 50	3.7 / 8.20
LC6025W31	2500 / 1875	240 / 208	8530 / 6398	1524 / 60	4.4 / 9.70

Note: Standard color is White.

Control Options (field installed)

Relays: Mechanical

Cat. No.	Description	Rating
BLLVC21	Low voltage relay & transformer kit	208V, 22A
BLLVC31	Low voltage relay & transformer kit	240V, 22A
BLLVD	Low voltage relay less transformer kit	120/208/240V, 22A, 347V, 17A

Relays: TRIAC

CCT-15-1-S	Without transformer	347V, 15A
CCT-15-1-S-T240	Comes with transformer	208/240V, 15A

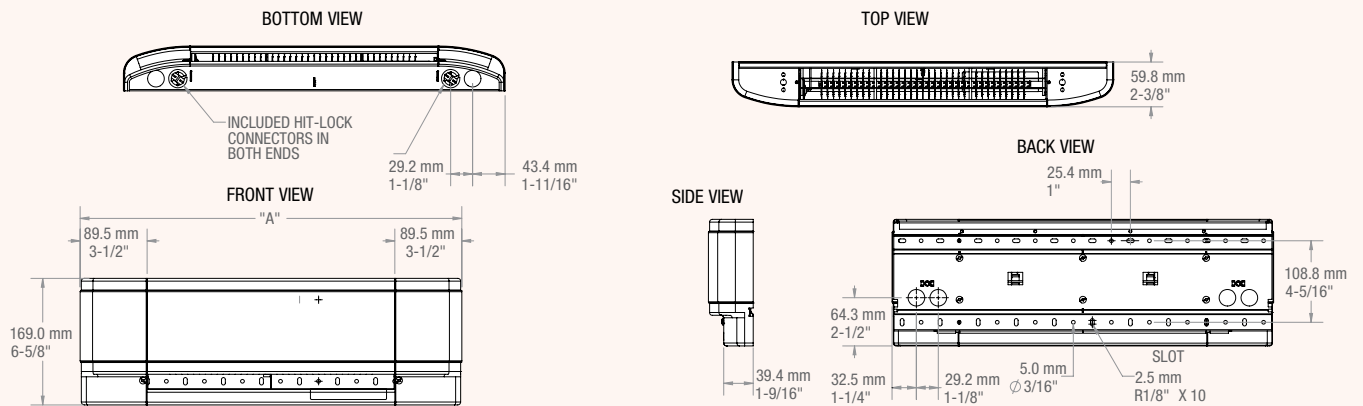
Thermostat Kits

DTK-SP	Single pole built-in thermostat kit (adjustable)	120-240V, 17A, 347V, 14A
DTK-DP	Double pole built-in thermostat (adjustable)	120-240V, 17A, 347V, 11A
DTKT-SP	Single pole built-in tamperproof thermostat kit	120-240V, 17A, 347V, 11A
DTKT-DP	Double pole built-in tamperproof thermostat kit	120-240V, 25A, 347V, 11A

Note: Each adjustable kit contains white and almond control knobs and hardware.



Dimensions



"A" – see Length in Ordering Guide

NOTE: ALL KNOCK OUTS ARE 7/8" FOR 1/2" CONDUIT