

## DSH SERIES

### DECORATIVE SILL HEIGHT CONVECTOR

MADE TO ORDER



#### IDEAL SPACES

- Offices
- Hallways
- Lobbies
- Conference Rooms
- Retail
- Other Similar Areas with Floor-to-Ceiling Windows

#### COLORS

- Neutral Gray
- Charcoal Gray
- Stainless Steel
- Navajo White
- Northern White
- Statuary Bronze
- Desert Tan
- Black
- Custom Colors
- Baked Enamel Finishes Available

#### DIMENSIONS

- See Specifications



- Perfect for under-the-window heat loss and condensation prevention
- Durable front cover constructed of 16-gauge steel (optional 14-gauge available)
- Wall-mounted design with extruded aluminum; bottom or front inlet - top outlet discharge grille
- Units may contain 1-3 heating elements that yield a broad range of heating capacity (see specifications)
- Optional 1/4 in. mesh located under the discharge grille to deter insertion of objects and restriction of airflow
- Blend into any décor with 8 standard color options or custom finishes available upon request
- Units can be mounted from wall-to-wall or as discrete units in standard lengths of 28 in. to 10 ft.
- Locate at sill height (or lower) or run from mullion-to-mullion
- Optional built-in controls include: line voltage thermostat (SPST or DPST); two-stage thermostat; power on/off switch; transformer relay; and power relay (see specifications)
- Right- or left-hand entry/wiring flexibility with identical pre-wired junction boxes at either end
- Built-in wire way with factory-installed wiring rated 35 amps for DSH05 and 45 amps for DSH07
- Easy connection of supply wiring from bottom, rear or end, as well as multiple wiring of adjacent heaters from one entry point
- For service, all internal parts are accessible by removing cover

Front inlet models mount flush with floor; 125 to 250 watts per foot units can be positioned within 1-3/4 in. of floor; 375 to 750 watts per foot units can be positioned to within 3 in. of floor; 5-1/2 in. and 7 in. high models are available with top outlet only; 14 in. models are available with top or front outlet.

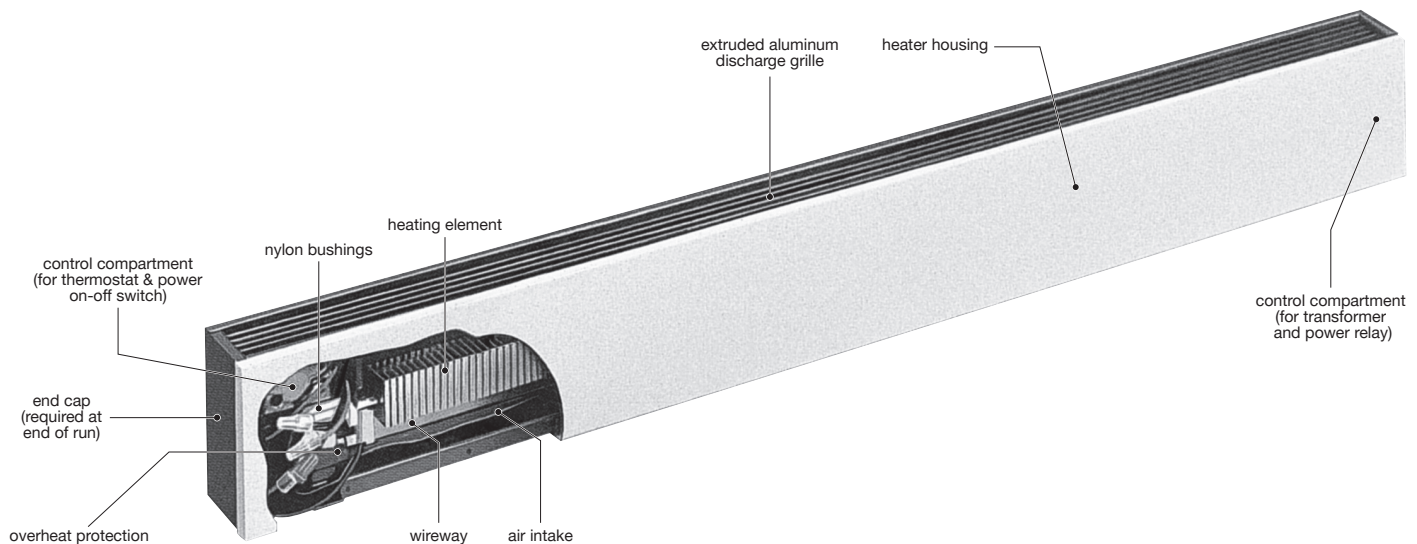


# DSH SERIES

## DECORATIVE SILL HEIGHT CONVECTOR

### MODELS & SPECIFICATIONS / DSH05 SERIES (5-1/2" x 3" w/SINGLE ELEMENT)

CATALOG NO	LENGTH (FT)	WATTS PER FT.	TOTAL HEATING CAPACITY		AMPS						NO. OF ELEMENTS	SHIP WT. (LBS)
			TOTAL WATTS	BTU/HR	120V	208V	240V	277V	347V	600V		
DSH05A2125	2.3	125	250	853	2.1	1.2	1.0	0.9	0.7	0.4	1	12
DSH05A2188		188	375	1280	3.1	1.8	1.6	1.4	1.1	0.6		
DSH05A2250		250	500	1706	4.2	2.4	2.1	1.8	1.4	0.8		
DSH05A3125	3	125	375	1280	3.1	1.8	1.6	1.4	1.1	0.6	1	13
DSH05A3188		188	546	1925	4.7	2.7	2.4	2.0	1.6	0.9		
DSH05A3250		250	750	2560	6.2	3.6	3.1	2.7	2.2	1.2		
DSH05A4125	4	125	500	1706	4.2	2.4	2.1	1.8	1.4	0.8	1	17
DSH05A4188		188	750	2560	6.2	3.6	3.1	2.7	2.2	1.2		
DSH05A4250		250	1000	3412	8.3	4.8	4.2	3.6	2.9	1.7		
DSH05A5125	5	125	625	2133	5.2	3.0	2.6	2.3	1.8	1.0	1	22
DSH05A5188		188	940	3208	7.8	4.5	3.9	3.4	2.7	1.6		
DSH05A5250		250	1250	4266	10.4	6.0	5.2	4.5	3.6	2.1		
DSH05A6125	6	125	750	2560	6.2	3.6	3.1	2.7	2.2	1.2	1	26
DSH05A6188		188	1125	3840	9.4	5.4	4.7	4.1	3.2	1.9		
DSH05A6250		250	1500	5120	12.5	7.2	6.3	5.4	4.3	2.5		
DSH05A8125	8	125	1000	3412	-	4.8	4.2	3.6	2.8	1.7	1	35
DSH05A8188		188	1500	5120	-	7.2	6.3	5.4	4.3	2.5		
DSH05A8250		250	2000	6824	-	9.6	8.3	7.2	5.8	3.3		
DSH05A10125	10	125	1250	4266	-	6.0	5.2	4.5	3.6	2.1	1	43
DSH05A10188		188	1875	6400	-	9.0	7.8	6.8	5.4	3.1		
DSH05A10250		250	2500	8532	-	12.0	10.4	9.0	7.2	4.2		



[www.qmarkmep.com](http://www.qmarkmep.com)

For Technical Services, Call 800-642-4328

ITEM# QFLY\_CSH\_1217-1

# CONVECTION HEATERS

## MODELS & SPECIFICATIONS / DSH07 SERIES (7" x 5" w/MULTIPLE ELEMENTS)

CONTINUED ON NEXT PAGE

CATALOG NO	LENGTH (FT)	WATTS PER FT.	TOTAL HEATING CAPACITY		AMPS					NO. OF ELEMENTS	SHIP WT. (LBS)
			TOTAL WATTS	BTU/HR	208V (1 PH / 3 PH)	240V (1 PH / 3 PH)	277V (1 PH)	347V (1 PH)	600V (1 PH / 3 PH)		
DSH07A2125	2.3	125	250	853	1.2 / -	1.0 / -	0.9	0.7	0.4 / -	1	15
DSH07A2188		188	375	1280	1.8 / -	1.6 / -	1.4	1.1	0.6 / -		
DSH07A2250		250	500	1706	2.4 / -	2.1 / -	1.8	1.4	0.8 / -		
DSH07A2375		375	750	2560	3.6 / -	3.1 / -	2.7	2.2	1.2 / -	2	
DSH07A2500		500	1000	3412	4.8 / -	4.2 / -	3.6	2.9	1.7 / -		
DSH07A2564		564	1125	3840	5.4 / 3.1	4.7 / 2.7	4.1	3.2	1.9 / 1.1	3	
DSH07A2625		625	1250	4266	6.0 / 3.5	5.2 / 3.0	4.5	3.6	2.1 / 1.2		
DSH07A2750		750	1500	5120	7.2 / 4.2	6.3 / 3.6	5.4	4.3	2.5 / 1.4		
DSH07A3125	3	125	375	1280	1.8 / -	1.6 / -	1.4	1.1	0.6 / -	1	20
DSH07A3188		188	564	1925	2.7 / -	2.4 / -	2.0	1.6	0.9 / -		
DSH07A3250		250	750	2560	3.6 / -	3.1 / -	2.7	2.2	1.2 / -		
DSH07A3375		375	1125	3840	5.4 / -	4.7 / -	4.1	3.2	1.9 / -	2	
DSH07A3500		500	1500	5120	7.2 / -	6.3 / -	5.4	4.3	2.5 / -		
DSH07A3564		564	1690	5768	8.1 / 4.7	7.0 / 4.1	6.1	4.8	2.8 / 1.6	3	
DSH07A3625		625	1875	6400	9.0 / 5.2	7.8 / 4.5	6.8	5.4	3.1 / 1.8		
DSH07A3750		750	2250	7680	10.8 / 6.3	9.4 / 5.4	8.1	6.5	3.7 / 2.1		
DSH07A4125	4	125	500	1706	2.4 / -	2.1 / -	1.8	1.4	0.8 / -	1	26
DSH07A4188		188	750	2560	3.6 / -	3.1 / -	2.7	2.2	1.2 / -		
DSH07A4250		250	1000	3412	4.8 / -	4.2 / -	3.6	2.9	1.7 / -		
DSH07A4375		375	1500	5120	7.2 / -	6.3 / -	5.4	4.3	2.5 / -	2	
DSH07A4500		500	2000	6824	9.6 / -	8.3 / -	7.2	5.8	3.3 / -		
DSH07A4564		564	2250	7680	10.8 / 6.3	9.4 / 5.4	8.1	6.5	3.7 / 2.1	3	
DSH07A4625		625	2500	8532	12.0 / 7.0	10.4 / 6.0	9.0	7.2	4.2 / 2.4		
DSH07A4750		750	3000	10239	14.4 / 8.3	12.5 / 7.2	10.8	8.6	5.0 / 2.9		
DSH07A5125	5	125	624	2133	3.0 / -	2.6 / -	2.3	1.8	1.0 / -	1	33
DSH07A5188		188	940	3208	4.5 / -	3.9 / -	3.4	2.7	1.6 / -		
DSH07A5250		250	1250	4266	6.0 / -	5.2 / -	4.5	3.6	2.1 / -		
DSH07A5375		375	1875	6400	9.0 / -	7.8 / -	6.8	5.4	3.1 / -	2	
DSH07A5500		500	2500	8532	12.0 / -	10.4 / -	9.0	7.2	4.2 / -		
DSH07A5564		564	2820	9625	13.6 / 7.8	11.8 / 6.8	10.2	8.1	4.7 / 2.7	3	
DSH07A5625		625	3125	10665	15.0 / 8.7	13.0 / 7.5	11.3	9.0	5.2 / 3.0		
DSH07A5750		750	3750	12800	18.0 / 10.4	15.6 / 9.0	13.5	10.8	6.2 / 3.6		

NOTE: All models are NON-STOCK, MADE-TO-ORDER. When ordering, specify quantity, catalog number, voltage, wattage, optional controls, and color. Consult sales representative for lead times.

# DSH SERIES

## DECORATIVE SILL HEIGHT CONVECTOR

### MODELS & SPECIFICATIONS / DSH07 SERIES (7" x 5" w/MULTIPLE ELEMENTS) CONTINUED FROM PREVIOUS PAGE

CATALOG NO	LENGTH (FT)	WATTS PER FT.	TOTAL HEATING CAPACITY		AMPS					NO. OF ELEMENTS	SHIP WT. (LBS)
			TOTAL WATTS	BTU/HR	208V (1 PH / 3 PH)	240V (1 PH / 3 PH)	277V (1 PH)	347V (1 PH)	600V (1 PH / 3 PH)		
DSH07A6125	6	125	750	2560	3.6 / -	3.1 / -	2.7	2.2	1.2 / -	1	39
DSH07A6188		188	1125	3840	5.4 / -	4.7 / -	4.1	3.2	1.9 / -		
DSH07A6250		250	1500	5120	7.2 / -	6.3 / -	5.4	4.3	2.5 / -		
DSH07A6375		375	2250	7680	10.8 / -	9.4 / -	8.1	6.5	3.7 / -	2	
DSH07A6500		500	3000	10,239	14.4 / -	12.5 / -	10.8	8.6	5.0 / -		
DSH07A6564		564	3380	11,535	16.3 / 9.4	14.1 / 8.1	12.2	9.7	5.6 / 3.2	3	
DSH07A6625		625	3750	12,800	18.0 / 10.4	15.6 / 9.0	13.5	10.8	6.2 / 3.6		
DSH07A6750		750	4500	15,358	21.6 / 12.5	18.8 / 10.8	16.2	12.9	7.5 / 4.3		
DSH07A8125	8	125	1000	3412	4.8 / -	4.2 / -	3.6	2.9	1.7 / -	1	52
DSH07A8188		188	1500	5120	7.2 / -	6.3 / -	5.4	4.3	2.5 / -		
DSH07A8250		250	2000	6824	9.6 / -	8.3 / -	7.2	5.8	3.3 / -		
DSH07A8375		375	3000	10,239	14.4 / -	12.5 / -	10.8	8.6	5.0 / -	2	
DSH07A8500		500	4000	13,652	19.2 / -	16.7 / -	14.4	11.5	6.7 / -		
DSH07A8564		564	4500	15,358	21.6 / 12.5	18.8 / 10.8	16.2	13.0	7.5 / 4.3	3	
DSH07A8625		625	5000	17,065	24.0 / 13.9	20.8 / 12.0	18.1	14.4	8.3 / 4.8		
DSH07A8750		750	6000	20,478	28.8 / 16.7	25.0 / 14.5	21.7	17.3	10.0 / 5.8		
DSH07A10125	10	125	1250	4266	6.0 / -	5.2 / -	4.5	3.6	2.1 / -	1	65
DSH07A10188		188	1875	6400	9.0 / -	7.8 / -	6.8	5.4	3.1 / -		
DSH07A10250		250	2500	8532	12.0 / -	10.4 / -	9.0	7.2	4.2 / -		
DSH07A10375		375	3750	12,800	18.0 / -	15.6 / -	13.5	10.8	6.2 / -	2	
DSH07A10500		500	5000	17,065	24.0 / -	20.8 / -	18.1	14.4	8.3 / -		
DSH07A10564		564	5640	19,250	27.1 / 15.7	23.5 / 13.6	20.4	16.2	9.4 / 5.4	3	
DSH07A10625		625	6250	21,330	30.0 / 17.4	26.0 / 15.0	22.6	18.0	10.4 / 6.0		
DSH07A10750		750	7500	25,600	36.1 / 20.8	31.3 / 18.1	27.1	21.6	12.5 / 7.2		

NOTE: All models are NON-STOCK, MADE-TO-ORDER. When ordering, specify quantity, catalog number, voltage, wattage, optional controls, and color. Consult sales representative for lead times.

# CONVECTION HEATERS

## MODELS & SPECIFICATIONS / DSH14 (14" X 5" WITH MULTIPLE ELEMENTS)

CONTINUED ON NEXT PAGE

CATALOG NO.	LENGTH (FT)	WATTS PER FT.	TOTAL HEATING CAPACITY		AMPS					NO. OF ELEMENTS	SHIP WT. (LBS)
			TOTAL WATTS	BTU/HR	208V (1 PH / 3 PH)	240V (1 PH / 3 PH)	277V (1 PH)	347V (1 PH)	600V (1 PH / 3 PH)		
DSH14A2125	2.3	125	250	853	1.2 / -	1.0 / -	0.9	0.7	0.4 / -	1	23
DSH14A2188		188	375	1280	1.8 / -	1.6 / -	1.4	1.1	0.6 / -		
DSH14A2250		250	500	1706	2.4 / -	2.1 / -	1.8	1.4	0.8 / -		
DSH14A2375		375	750	2560	3.6 / -	3.1 / -	2.7	2.2	1.2 / -	2	
DSH14A2500		500	1000	3412	4.8 / -	4.2 / -	3.6	2.9	1.7 / -		
DSH14A2564		564	1125	3840	5.4 / 3.1	4.7 / 2.7	4.1	3.2	1.9 / 1.1	3	
DSH14A2625		625	1250	4266	6.0 / 3.5	5.2 / 3.0	4.5	3.6	2.1 / 1.2		
DSH14A2750		750	1500	5120	7.2 / 4.2	6.3 / 3.6	5.4	4.3	2.5 / 1.4		
DSH14A3125	3	125	375	1280	1.8 / -	1.6 / -	1.4	1.1	0.6 / -	1	30
DSH14A3188		188	564	1925	2.7 / -	2.4 / -	2.0	1.6	0.9 / -		
DSH14A3250		250	750	2560	3.6 / -	3.1 / -	2.7	2.2	1.2 / -		
DSH14A3375		375	1125	3840	5.4 / -	4.7 / -	4.1	3.2	1.9 / -	2	
DSH14A3500		500	1500	5120	7.2 / -	6.3 / -	5.4	4.3	2.5 / -		
DSH14A3564		564	1690	5768	8.1 / 4.7	7.0 / 4.1	6.1	4.8	2.8 / 1.6	3	
DSH14A3625		625	1875	6400	9.0 / 5.2	7.8 / 4.5	6.8	5.4	3.1 / 1.8		
DSH14A3750		750	2250	7680	10.8 / 6.3	9.4 / 5.4	8.1	6.5	3.7 / 2.1		
DSH14A4125	4	125	500	1706	2.4 / -	2.1 / -	1.8	1.4	0.8 / -	1	40
DSH14A4188		188	750	2560	3.6 / -	3.1 / -	2.7	2.2	1.2 / -		
DSH14A4250		250	1000	3412	4.8 / -	4.2 / -	3.6	2.9	1.7 / -		
DSH14A4375		375	1500	5120	7.2 / -	6.3 / -	5.4	4.3	2.5 / -	2	
DSH14A4500		500	2000	6824	9.6 / -	8.3 / -	7.2	5.8	3.3 / -		
DSH14A4564		564	2250	7680	10.8 / 6.3	9.4 / 5.4	8.1	6.5	3.7 / 2.1	3	
DSH14A4625		625	2500	8532	12.0 / 7.0	10.4 / 6.0	9.0	7.2	4.2 / 2.4		
DSH14A4750		750	3000	10239	14.4 / 8.3	12.5 / 7.2	10.8	8.6	5.0 / 2.9		
DSH14A5125	5	125	624	2133	3.0 / -	2.6 / -	2.3	1.8	1.0 / -	1	50
DSH14A5188		188	940	3208	4.5 / -	3.9 / -	3.4	2.7	1.6 / -		
DSH14A5250		250	1250	4266	6.0 / -	5.2 / -	4.5	3.6	2.1 / -		
DSH14A5375		375	1875	6400	9.0 / -	7.8 / -	6.8	5.4	3.1 / -	2	
DSH14A5500		500	2500	8532	12.0 / -	10.4 / -	9.0	7.2	4.2 / -		
DSH14A5564		564	2820	9625	13.6 / 7.8	11.8 / 6.8	10.2	8.1	4.7 / 2.7	3	
DSH14A5625		625	3125	10665	15.0 / 8.7	13.0 / 7.5	11.3	9.0	5.2 / 3.0		
DSH14A5750		750	3750	12800	18.0 / 10.4	15.6 / 9.0	13.5	10.8	6.2 / 3.6		

# DSH SERIES

## DECORATIVE SILL HEIGHT CONVECTOR

MODELS & SPECIFICATIONS / DSH14 (14" X 5" WITH MULTIPLE ELEMENTS)										CONTINUED FROM PREVIOUS PAGE	
CATALOG NO.	LENGTH (FT)	WATTS PER FT.	TOTAL HEATING CAPACITY		AMPS					NO. OF ELEMENTS	SHIP WT. (LBS)
			TOTAL WATTS	BTU/HR	208V (1 PH / 3 PH)	240V (1 PH / 3 PH)	277V (1 PH)	347V (1 PH)	600V (1 PH / 3 PH)		
DSH14A6125	6	125	750	2560	3.6 / -	3.1 / -	2.7	2.2	1.2 / -	1	60
DSH14A6188		188	1125	3840	5.4 / -	4.7 / -	4.1	3.2	1.9 / -		
DSH14A6250		250	1500	5120	7.2 / -	6.3 / -	5.4	4.3	2.5 / -		
DSH14A6375		375	2250	7680	10.8 / -	9.4 / -	8.1	6.5	3.7 / -	2	
DSH14A6500		500	3000	10,239	14.4 / -	12.5 / -	10.8	8.6	5.0 / -		
DSH14A6564		564	3380	11,535	16.3 / 9.4	14.1 / 8.1	12.2	9.7	5.6 / 3.2	3	
DSH14A6625		625	3750	12,800	18.0 / 10.4	15.6 / 9.0	13.5	10.8	6.2 / 3.6		
DSH14A6750		750	4500	15,358	21.6 / 12.5	18.8 / 10.8	16.2	12.9	7.5 / 4.3		
DSH14A8125	8	125	1000	3412	4.8 / -	4.2 / -	3.6	2.9	1.7 / -	1	80
DSH14A8188		188	1500	5120	7.2 / -	6.3 / -	5.4	4.3	2.5 / -		
DSH14A8250		250	2000	6824	9.6 / -	8.3 / -	7.2	5.8	3.3 / -		
DSH14A8375		375	3000	10,239	14.4 / -	12.5 / -	10.8	8.6	5.0 / -	2	
DSH14A8500		500	4000	13,652	19.2 / -	16.7 / -	14.4	11.5	6.7 / -		
DSH14A8564		564	4500	15,358	21.6 / 12.5	18.8 / 10.8	16.2	13.0	7.5 / 4.3	3	
DSH14A8625		625	5000	17,065	24.0 / 13.9	20.8 / 12.0	18.1	14.4	8.3 / 4.8		
DSH14A8750		750	6000	20,478	28.8 / 16.7	25.0 / 14.5	21.7	17.3	10.0 / 5.8		
DSH14A10125	10	125	1250	4266	6.0 / -	5.2 / -	4.5	3.6	2.1 / -	1	100
DSH14A10188		188	1875	6400	9.0 / -	7.8 / -	6.8	5.4	3.1 / -		
DSH14A10250		250	2500	8532	12.0 / -	10.4 / -	9.0	7.2	4.2 / -		
DSH14A10375		375	3750	12,800	18.0 / -	15.6 / -	13.5	10.8	6.2 / -	2	
DSH14A10500		500	5000	17,065	24.0 / -	20.8 / -	18.1	14.4	8.3 / -		
DSH14A10564		564	5640	19,250	27.1 / 15.7	23.5 / 13.6	20.4	16.2	9.4 / 5.4	3	
DSH14A10625		625	6250	21,330	30.0 / 17.4	26.0 / 15.0	22.6	18.0	10.4 / 6.0		
DSH14A10750		750	7500	25,600	36.1 / 20.8	31.3 / 18.1	27.1	21.6	12.5 / 7.2		

NOTE: All models are NON-STOCK, MADE-TO-ORDER. When ordering, specify quantity, catalog number, voltage, wattage, optional controls, and color. Consult sales representative for lead times.

[www.qmarkmep.com](http://www.qmarkmep.com)

For Technical Services, Call 800-642-4328

ITEM# QFLY\_CSH\_1217-1

# CONVECTION HEATERS

ACCESSORIES			
CATALOG NO.	DESCRIPTION	COMPATIBLE WITH	SHIP WT. (LBS)
DSH05-BL2*	28 in. Blank Section	DSH05 Heaters	10
DSH05BL3*	3 ft. Blank Section		14
DSH05BL4*	4 ft. Blank Section		18
DSH05BL5*	5 ft. Blank Section		23
DSH05BL6*	6 ft. Blank Section		27
DSH05BL8*	8 ft. Blank Section		36
DSH05BL10*	10 ft. Blank Section		45
DSH07BL2*	28 in. Blank Section		DSH07 Heaters
DSH07BL3*	3 ft. Blank Section	20	
DSH07BL4*	4 ft. Blank Section	26	
DSH07BL5*	5 ft. Blank Section	33	
DSH07BL6*	6 ft. Blank Section	39	
DSH07BL8*	8 ft. Blank Section	52	
DSH07BL10*	10 ft. Blank Section	65	
DSH14BL2*	28 in. Blank Section	DSH14 Heaters	
DSH14BL3*	3 ft. Blank Section		29
DSH14BL4*	4 ft. Blank Section		38
DSH14BL5*	5 ft. Blank Section		48
DSH14BL6*	6 ft. Blank Section		57
DSH14BL8*	8 ft. Blank Section		76
DSH14BL10*	10 ft. Blank Section		95
Stand-Off	SO1		DSH05 Heaters
Bracket	SO2	DSH07 Heaters	1

Outlet Mesh: Price per foot. 14-Gauge Front Cover: add 10% to heater price. Standard color included in base price. Other colors available. View paint policy on page 157. Maximum of 250 watts per ft. on front outlet models. When ordering, specify heater catalog number, voltage, phase, suffix catalog number for built-in controls, color, and options. 2. If color is not specified, front covers will be neutral grey. Front outlet models available only in 14 in. height and 125, 188 and 250 Wt./Ft. configuration. Outlet mesh is not available on front outlet models.

ACCESSORIES			
CATALOG NO.	DESCRIPTION	COMPATIBLE WITH	SHIP WT. (LBS)
DSH05ECL	Left End Caps	DSH05 Heaters	1
DSH07ECL		DSH07 Heaters	1
DSH14ECL		DSH14 Heaters	1
DSH05ECR	Right End Caps	DSH05 Heaters	1
DSH07ECR		DSH07 Heaters	1
DSH14ECR		DSH14 Heaters	1
DSH05FL3	3 in. Filler Section	DSH05 Heaters	1
DSH07FL3		DSH07 Heaters	2
DSH14FL3		DSH14 Heaters	3
DSH05FL6	6 in. Filler Section	DSH05 Heaters	2
DSH07FL6		DSH07 Heaters	3
DSH14FL6		DSH14 Heaters	5
DSH05FL9	9 in. Filler Section	DSH05 Heaters	3
DSH07FL9		DSH07 Heaters	4
DSH14FL9		DSH14 Heaters	6
DSH05FL12	12 in. Filler Section	DSH05 Heaters	4
DSH07FL12		DSH07 Heaters	5
DSH14FL12		DSH14 Heaters	8
DSH05FL18	18 in. Filler Section	DSH05 Heaters	5
DSH07FL18		DSH07 Heaters	6
DSH14FL18		DSH14 Heaters	9
DSH05IC*	Inside Corners	DSH05 Heaters	2
DSH07IC*		DSH07 Heaters	4
DSH14IC		DSH14 Heaters	6
DSH05OC*	Outside Corners	DSH05 Heaters	1
DSH07OC*		DSH07 Heaters	2
DSH14OC*		DSH14 Heaters	4
SHCC05	Conduit Corners	DSH05 Heaters	4
SHCC0714		DSH07 and DSH14 Heaters	5



## DSH SERIES

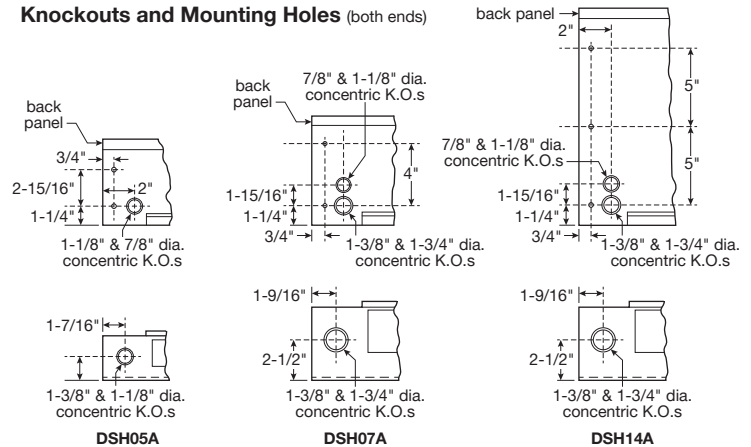
### DECORATIVE SILL HEIGHT CONVECTOR

ACCESSORIES					
CATALOG NO	COMPATIBLE WITH	HEIGHT (IN)	DEPTH (IN)	LENGTH (IN)	ADDT'L LENGTH* (IN)
<b>LEFT END CAPS</b>					
DSH05ECL**	DSH05	5-1/2	2-1/2	-	1/8
DSH07ECL**	DSH07	7	4-1/4		
DSH14ECL**	DSH14	14	4-1/4		
<b>RIGHT END CAPS</b>					
DSH05ECR**	DSH05	5-1/2	2-1/2	-	1/8
DSH07ECR**	DSH07	7	4-1/4		
DSH14ECR**	DSH14	14	4-1/4		
<b>FILLER SECTIONS</b>					
DSH05FL3	DSH05	5-1/2	5-1/8	4	0-3
DSH07FL3	DSH07	7	6-1/8		
DSH14FL3	DSH14	14	13-1/8		
DSH05FL6**	DSH05	5-1/8	2-1/2	7	3-6
DSH07FL6**	DSH07	6-1/8	4-1/2		
DSH14FL6**	DSH14	13-1/8	4-1/2		
DSH05FL9**	DSH05	5-1/8	2-1/2	10	6-9
DSH07FL9**	DSH07	6-1/8	4-1/2		
DSH14FL9**	DSH14	13-1/8	4-1/2		
DSH05FL12**	DSH05	5-1/8	2-1/2	13	9-12
DSH07FL12**	DSH07	6-1/8	4-1/2		
DSH14FL12**	DSH14	13-1/8	4-1/2		
DSH05FL18**	DSH05	5-1/8	2-1/2	19	15-18
DSH07FL18**	DSH07	6-1/8	4-1/2		
DSH14FL18**	DSH14	13-1/8	4-1/2		
<b>INSIDE CORNERS</b>					
DSH05IC1	DSH05	5-1/8	2-1/2	4-1/2	3-3-1/2
DSH07IC1	DSH07	6-1/8	4-1/2	6	5-5-1/2
DSH14IC1	DSH14	13-1/8	4-1/2	6	5-5-1/2
<b>OUTSIDE CORNERS</b>					
DSH05OC1	DSH05	5-1/8	2-1/2	1	0-1/2
DSH07OC1	DSH07	6-1/8	4-1/2		
DSH14OC1	DSH14	13-1/8	4-1/2		
<b>CONDUIT CORNERS</b>					
SHCC05	DSH05	-	2-5/8	2-1/2	-
SHCC07	DSH07	-	-	-	-
SHCC14	DSH14	-	3-5/8	3	-
<b>STAND-OFF BRACKETS</b>					
SO1	DSH05A	4-3/4	3/4	3	-
SO2	DSH07A	6-3/4	3/4	3	-

ACCESSORIES					
CATALOG NO	COMPATIBLE WITH	HEIGHT (IN)	DEPTH (IN)	LENGTH (IN)	ADDT'L LENGTH* (IN)
<b>BLANK SECTIONS (DSH05)</b>					
DSH05BL21	DSH05	5-1/2	3	28	28
DSH05BL31				36	36
DSH05BL41				48	48
DSH05BL51				60	60
DSH05BL61				72	72
DSH05BL81				96	96
DSH05BL101				120	120
<b>BLANK SECTIONS (DSH07A)</b>					
DSH07BL21	DSHA07	7	5	28	28
DSH07BL31				36	36
DSH07BL41				48	48
DSH07BL51				60	60
DSH07BL61				72	72
DSH07BL81				96	96
DSH07BL101				120	120
<b>BLANK SECTIONS (DSH14A)</b>					
DSH14BL21	DSHA14	14	5	28	28
DSH14BL31				36	36
DSH14BL41				48	48
DSH14BL51				60	60
DSH14BL61				72	72
DSH14BL81				96	96
DSH14BL101				120	120

\*Additional length the accessory adds to the total installation length. \*\*Built-in duplex receptacle available. Add model numbers suffix "-1" for bottom inlet - top outlet; add suffix "-3" for bottom inlet - front outlet.

#### Knockouts and Mounting Holes (both ends)



#### Heating and Blank Sections

